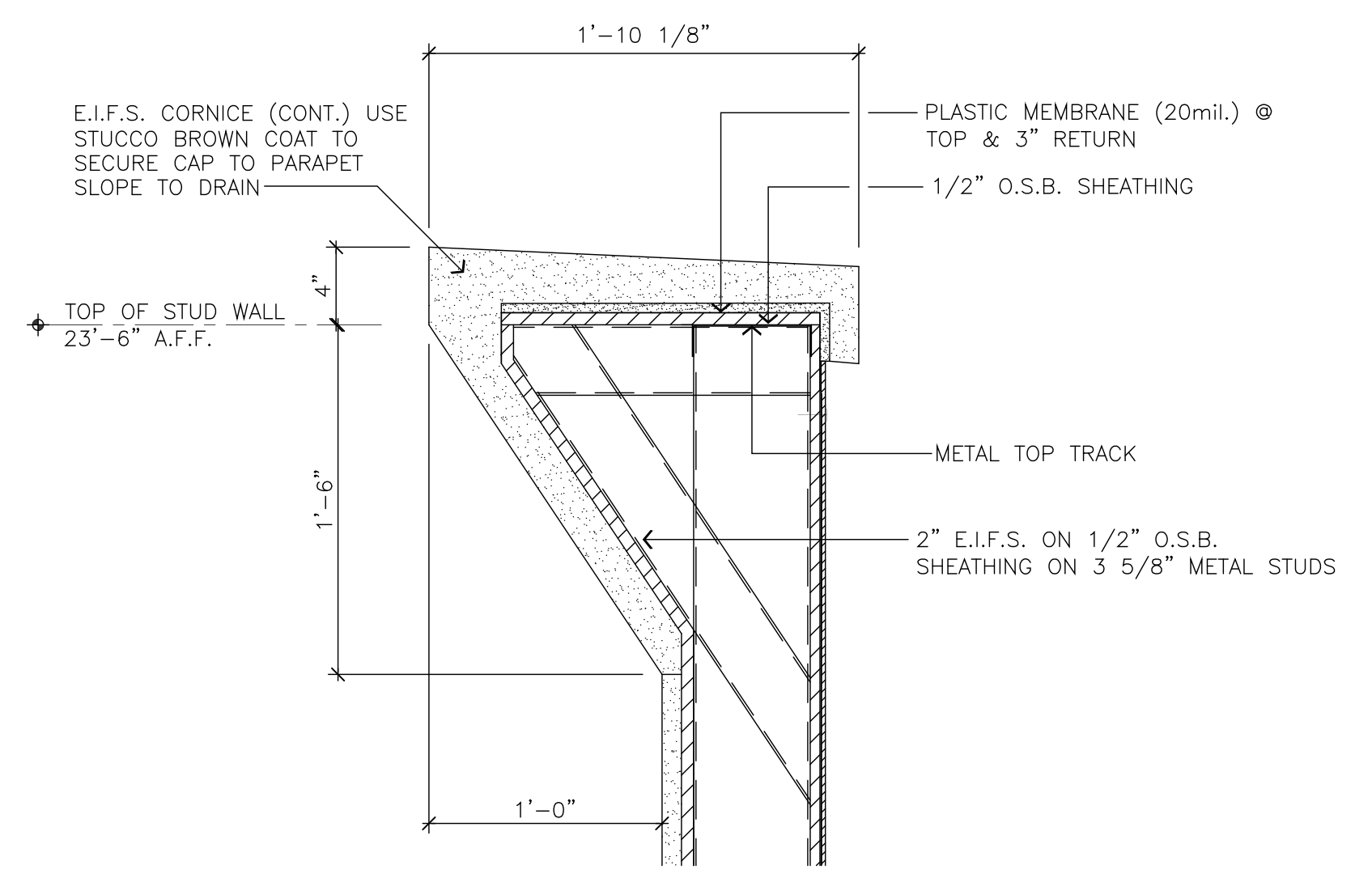
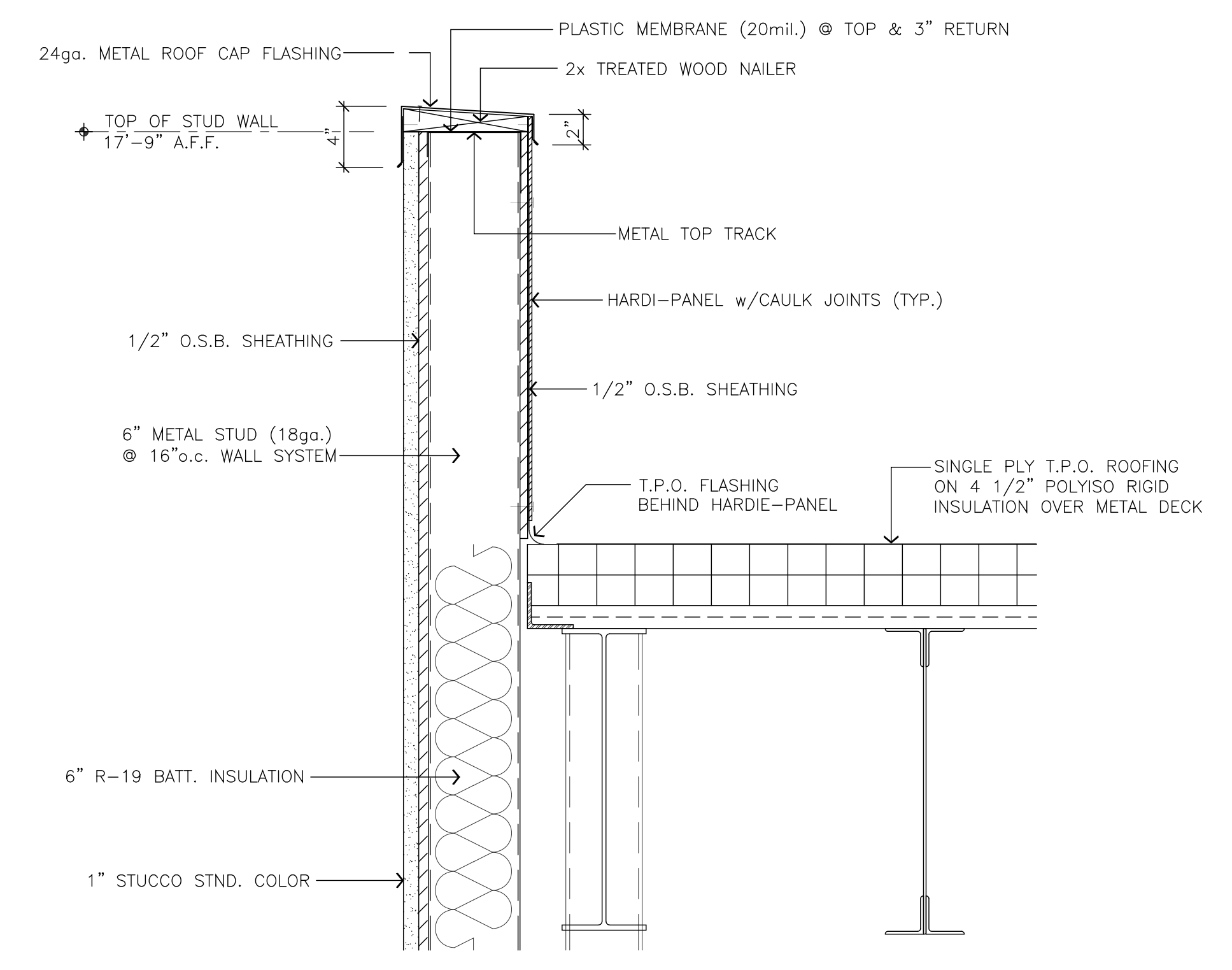


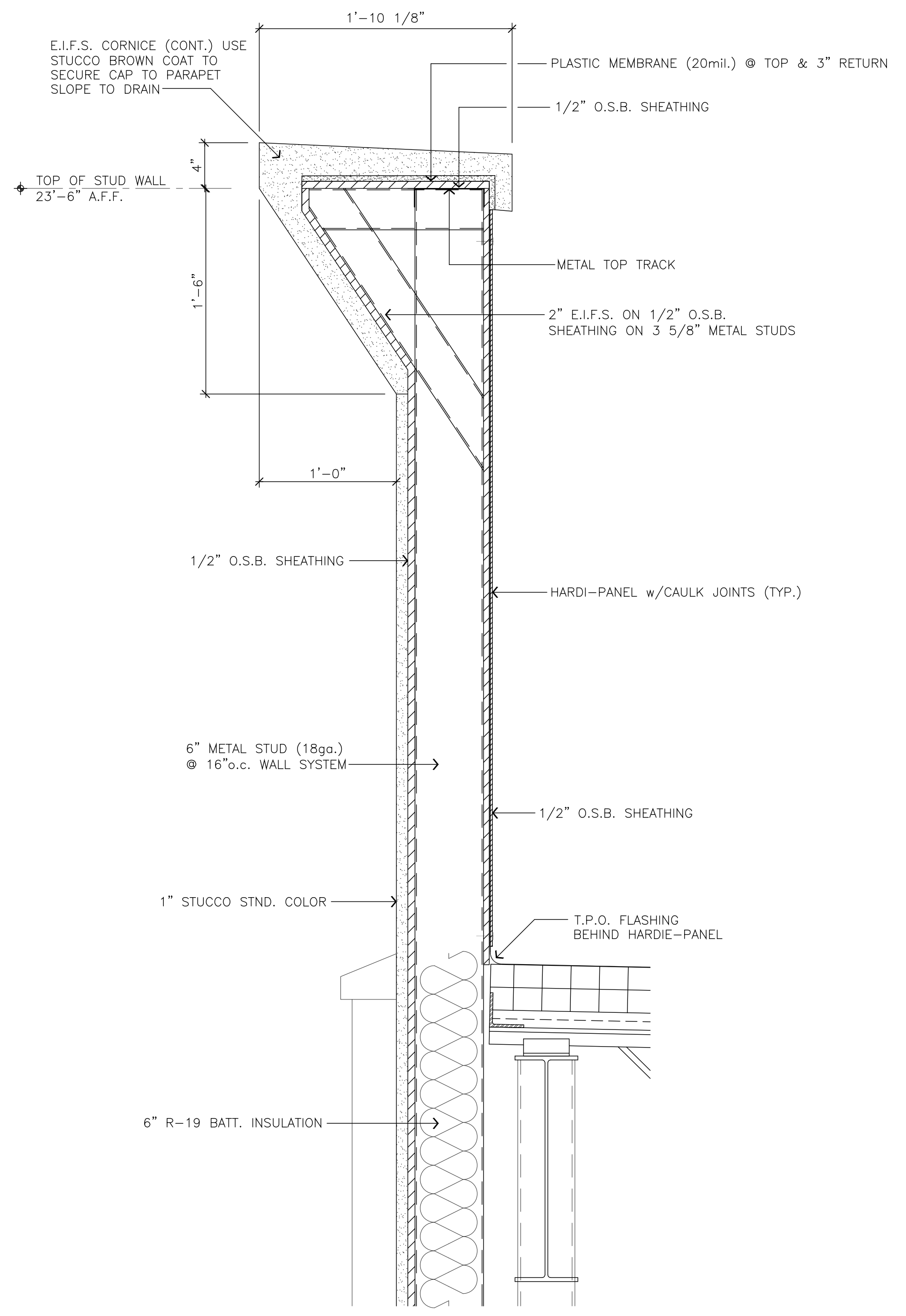
1
 A4.3 ENLARGED DETAIL
 1 1/2" = 1'-0"



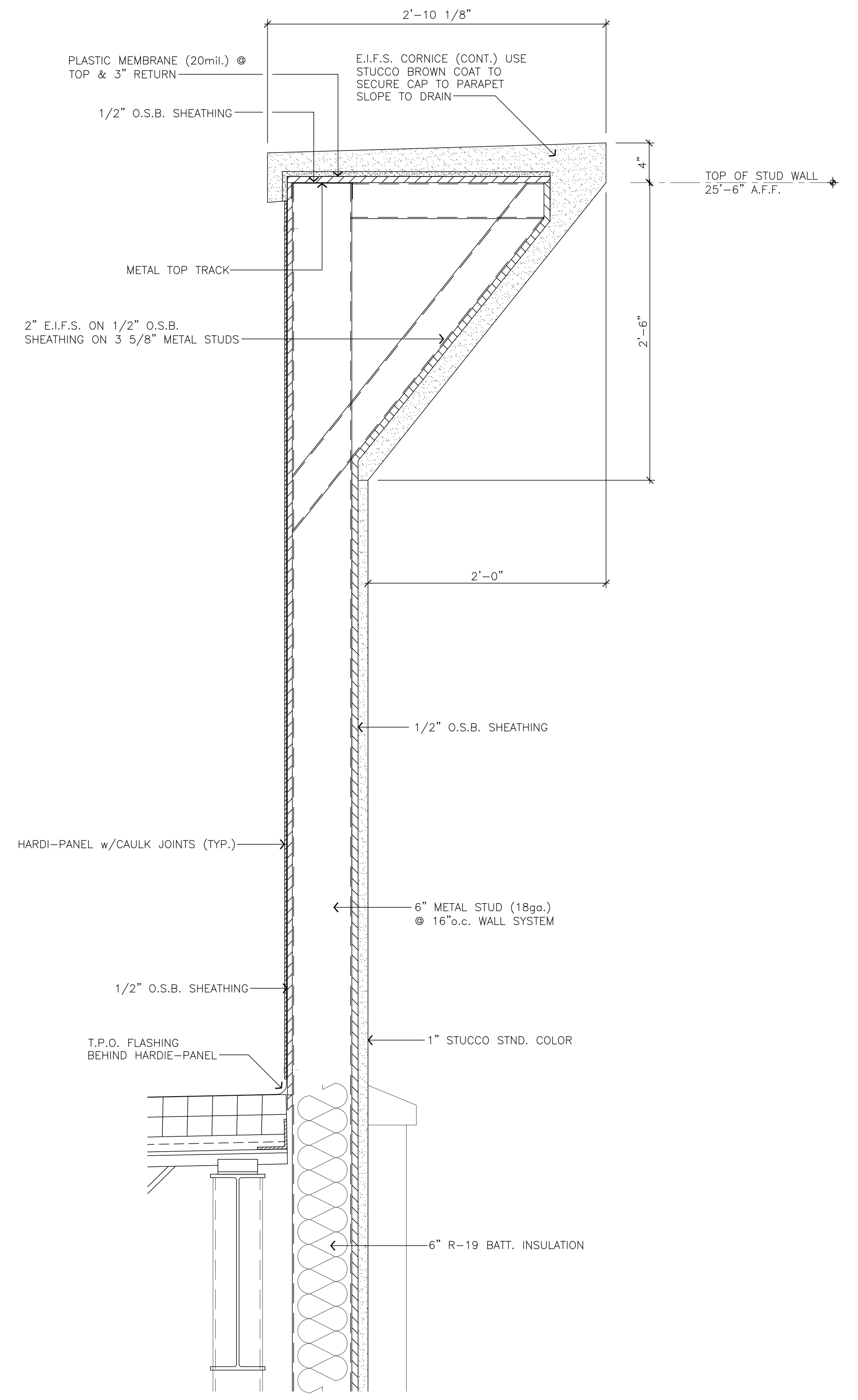
3
 A4.3 ENLARGED DETAIL
 1 1/2" = 1'-0"



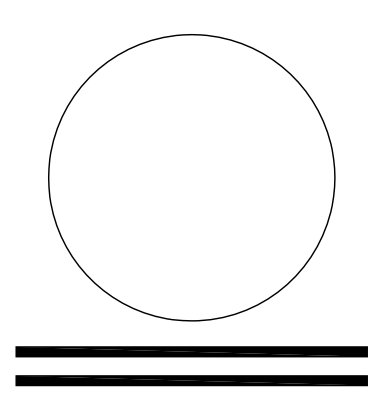
2
 A4.3 ENLARGED DETAIL
 1 1/2" = 1'-0"



4
 A4.3 ENLARGED DETAIL
 1 1/2" = 1'-0"

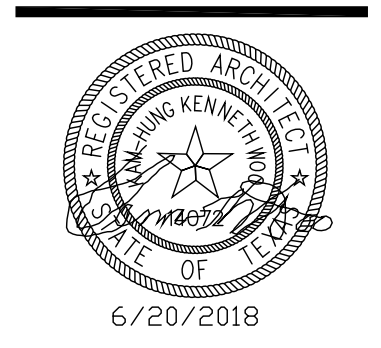


5
 A4.3 ENLARGED DETAIL
 1 1/2" = 1'-0"



17211 PAD SITE
 17211 IH45, Houston, Texas 77090

OWNERSHIP OF DOCUMENTS
 THIS DOCUMENT AND THE IDEAS AND DESIGNS INCORPORATED HEREIN AS AN INSTRUMENT OF PROFESSIONAL SERVICE IS THE PROPERTY OF KENNETH WOOD & ASSOCIATES AND IS NOT TO BE USED, IN WHOLE OR IN PART, FOR ANY OTHER PROJECT WITHOUT THE WRITTEN AUTHORIZATION OF KENNETH WOOD & ASSOCIATES



KWA

A4.3