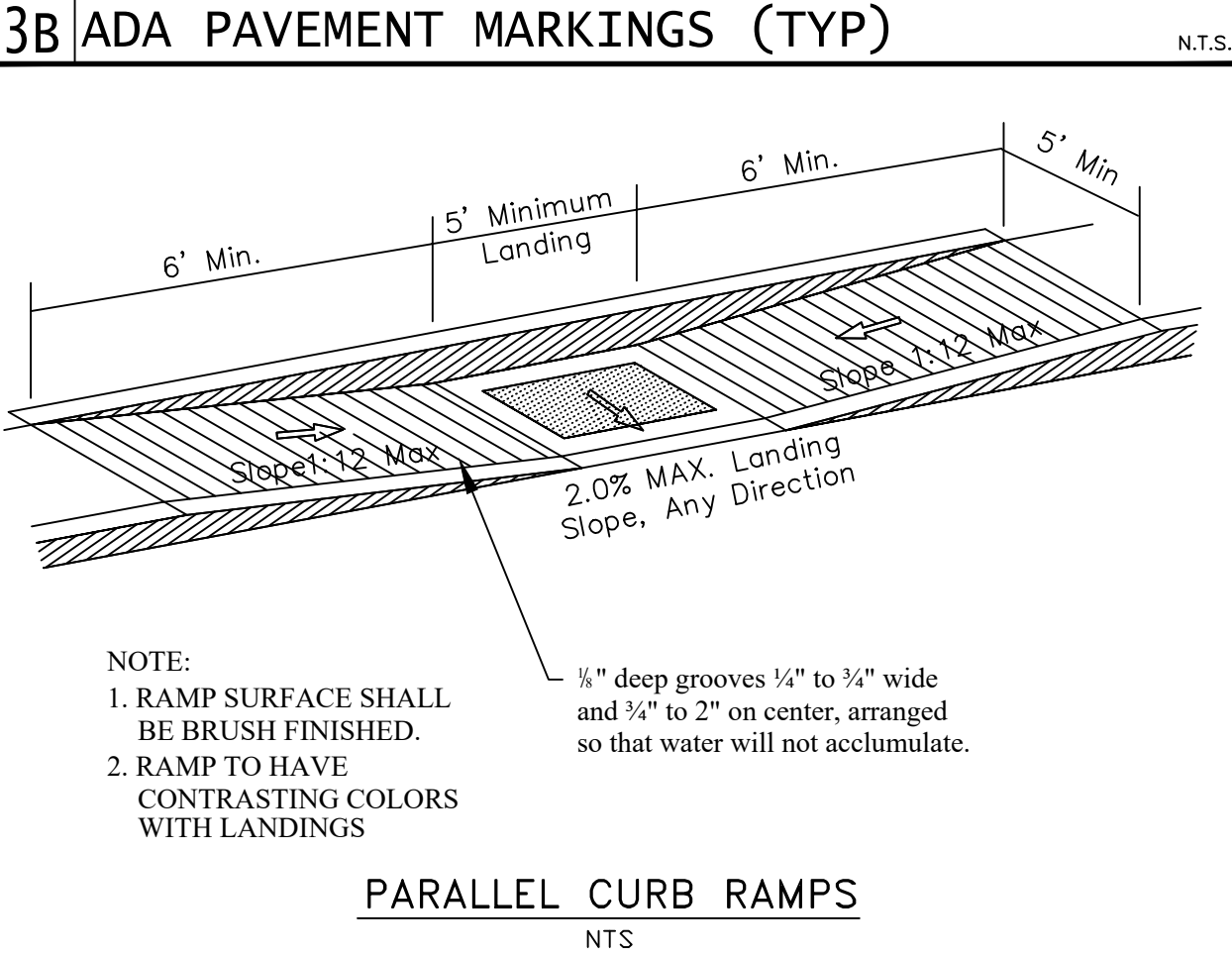
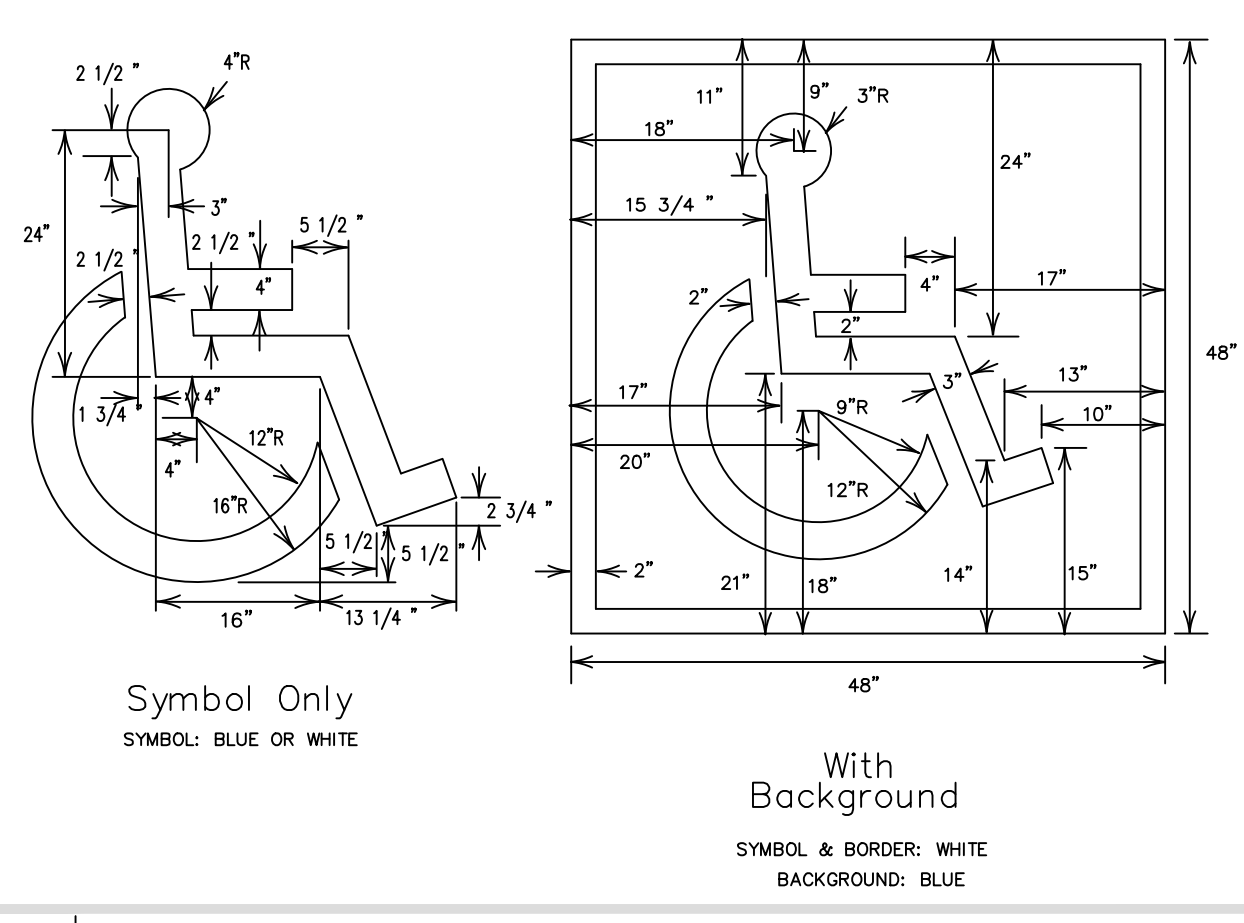
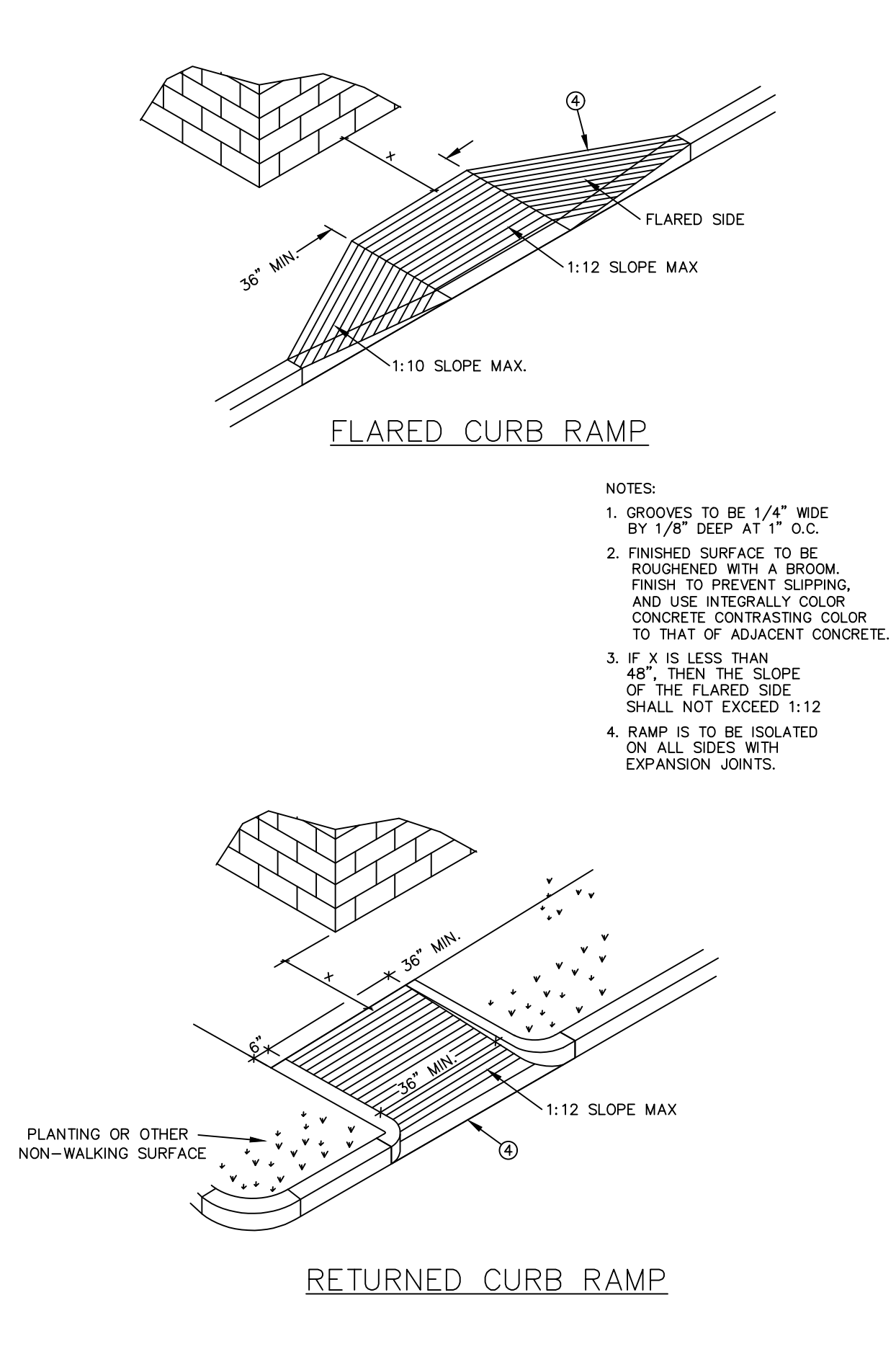
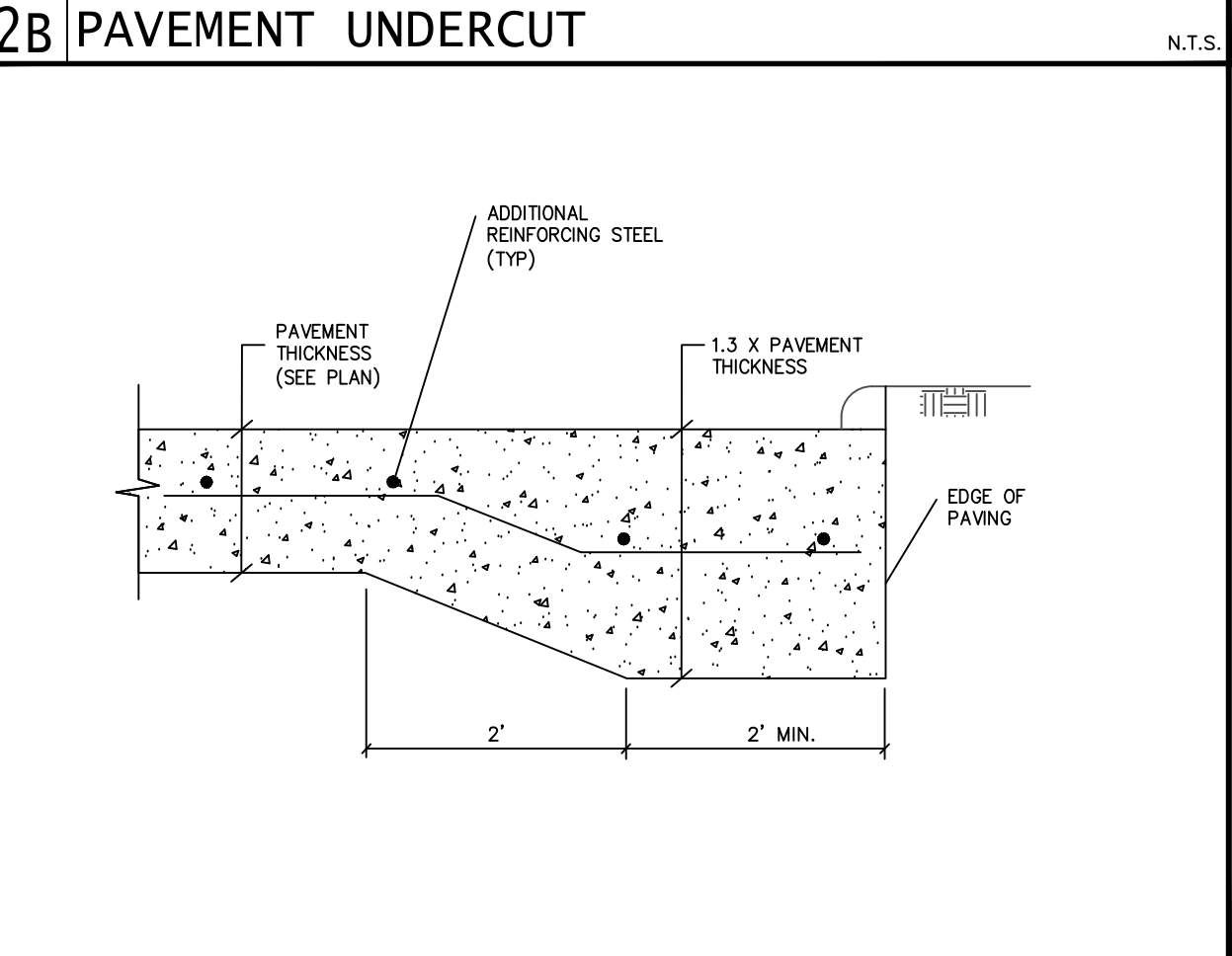
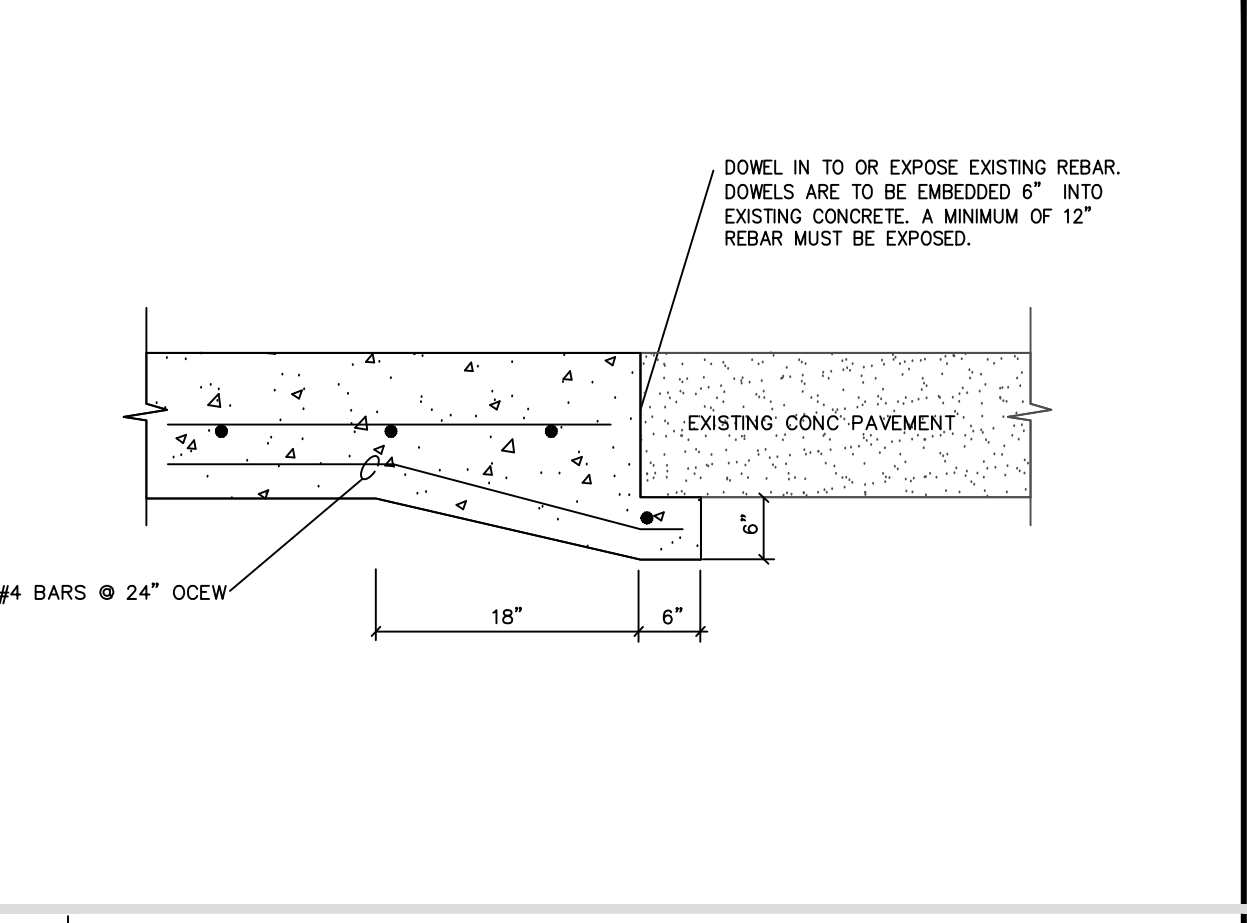


7 STRIPING NOTES

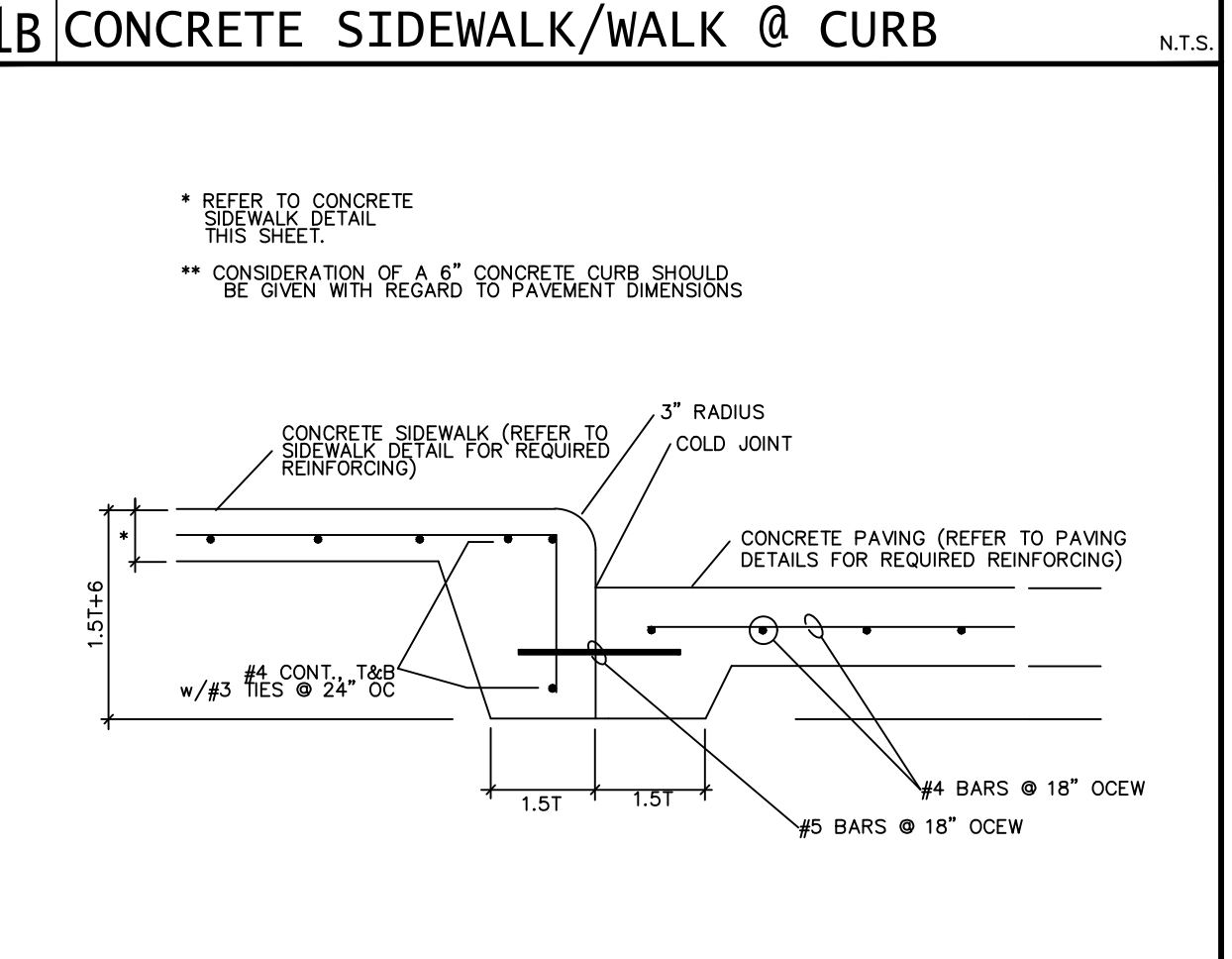
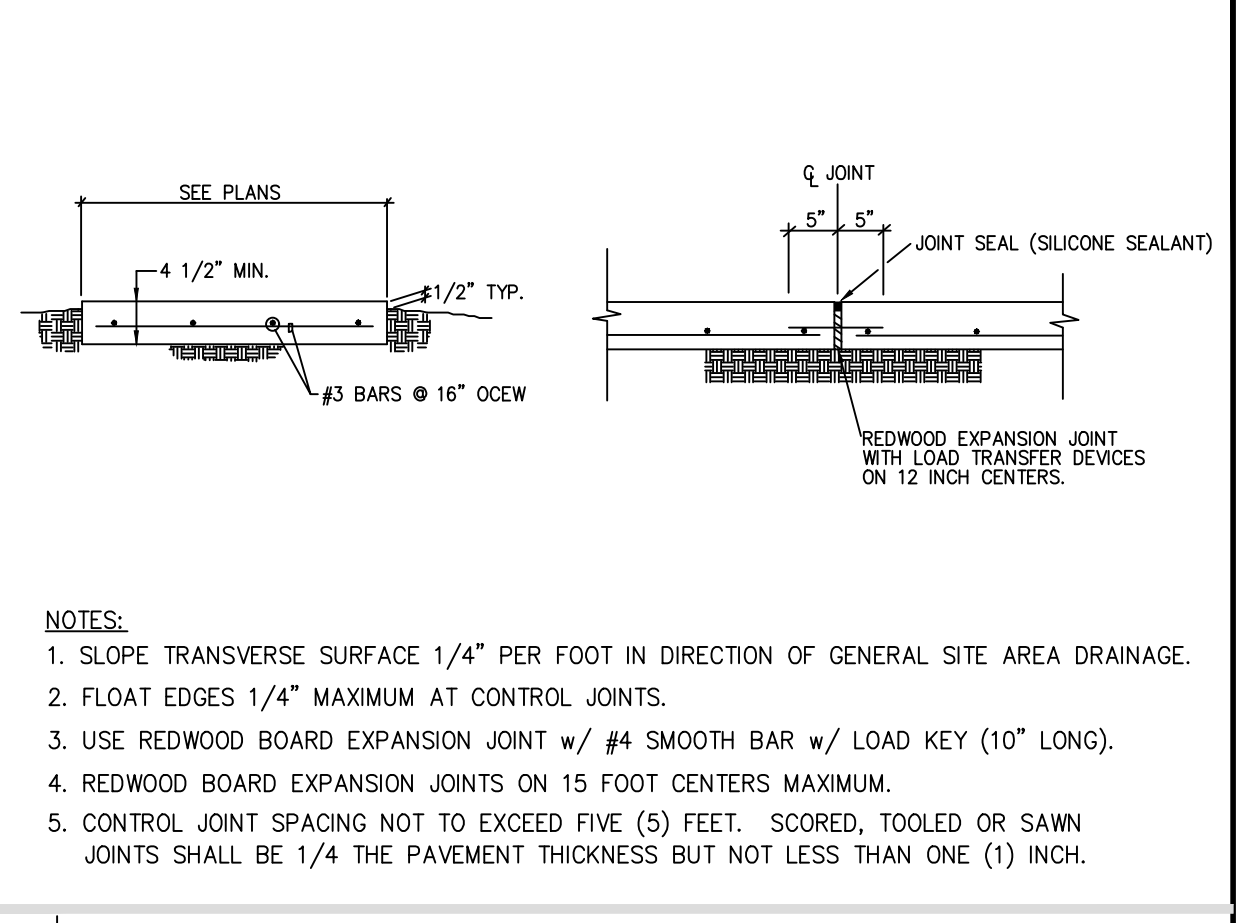
5 ACCESSIBLE PARKING SIGNAGE



3B ADA PAVEMENT MARKINGS (TYP)



2B PAVEMENT UNDERCUT



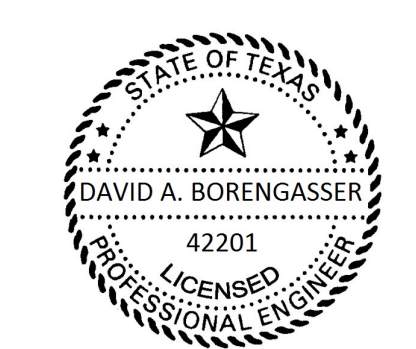
2A PAVEMENT - THICKENED EDGE

4 ACCESSIBLE CURB RAMPS

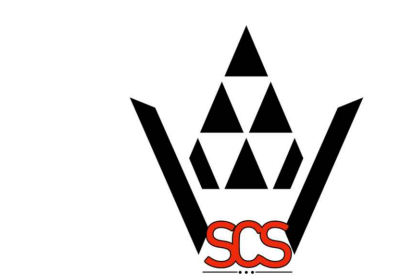
3A ACCESSIBLE RAMP FROM PARKING STALL

2A PAVEMENT - THICKENED EDGE

1A SIDEWALK / PAVEMENT HEADER



David A. Borengasser
6/04/18



STEWART CONSULTING SERVICES
CIVIL ENGINEERS | PLANNERS | CONSTRUCTION MGMT.
TBPE FIRM F-17175
P.O. BOX 82
HUMBLE, TX 77347
PH: (713)446-8537
FAX: (281)858-2335
www.stewartconsultingservices.com

17211 PAD SITE
17211 IH45
HOUSTON, HARRIS CO., TX 77090

REV	ISSUE DATE	DESCRIPTION
0	06/04/2018	ISSUED FOR PERMIT/BID

SHEET TITLE: **GENERAL DETAILS**
PRJ NAME: 17211 PAD SITE
DATE: JUNE 03, 2018
SHEET NO: **C6.1**