



Adam L. Sutliff
Registered Landscape Architect
11020 Meadow Rue
The Woodlands, TX 77380
713.410.5111
adam@ALSRLA.com

seal:

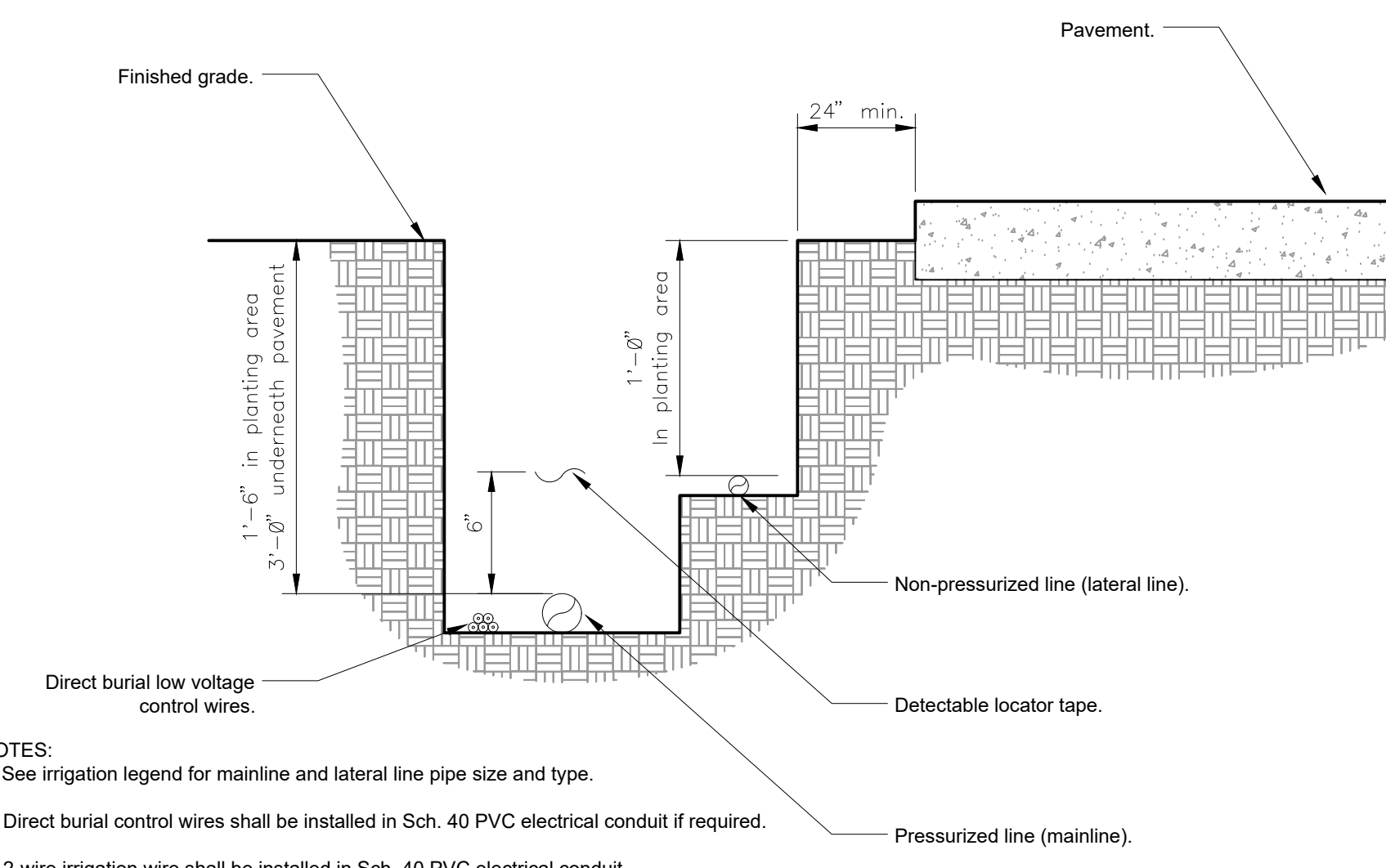


2018-05-21

© 2018 Adam L. Sutliff, RLA. All rights reserved. No parts of this document may be reproduced or used in any form without prior authorization from Adam L. Sutliff, RLA.

issue/revision:

2018-05-21 Issued for Permit
Harris County



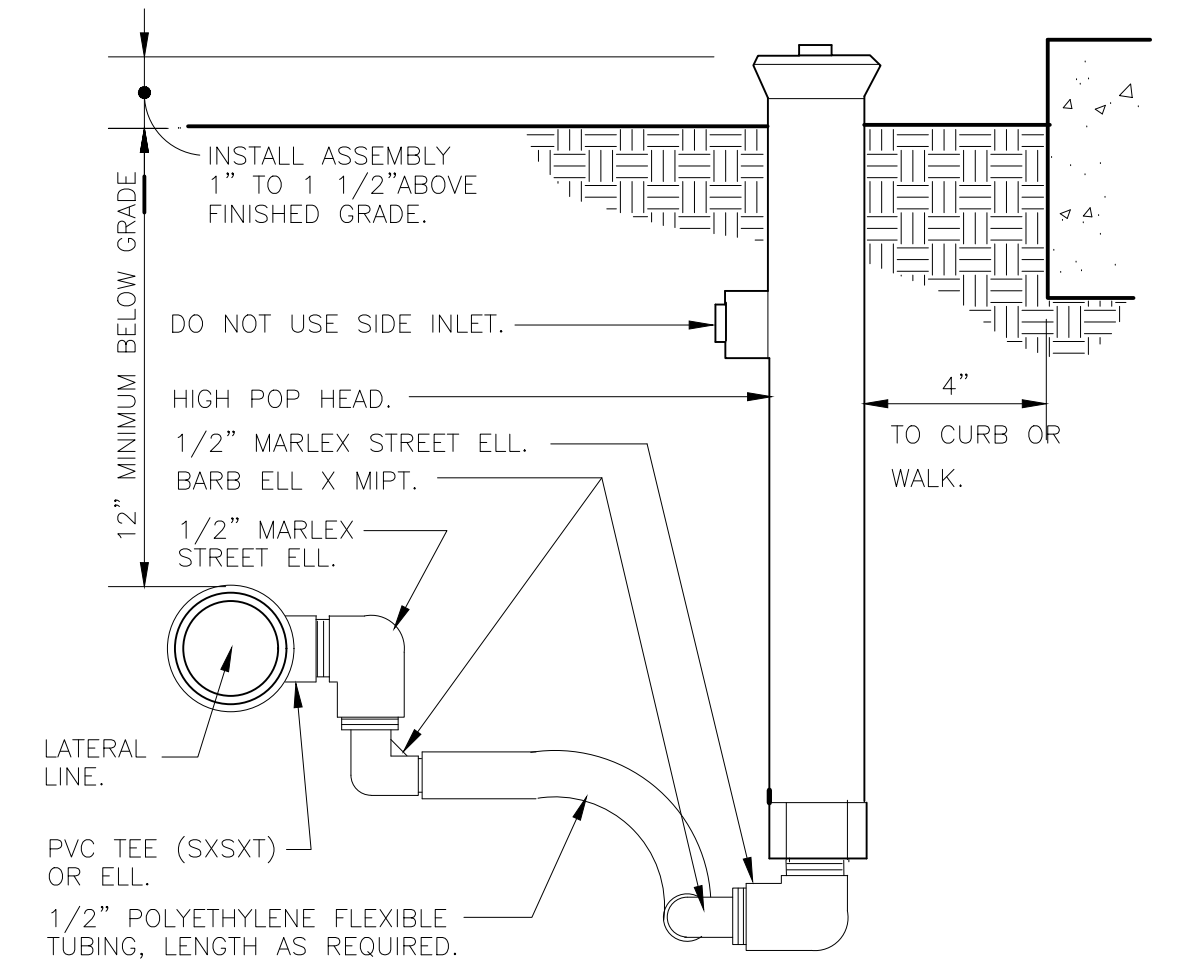
NOTES:

- 1- See irrigation legend for mainline and lateral line pipe size and type.
- 2- Direct burial control wires shall be installed in Sch. 40 PVC electrical conduit if required.
- 3- 2-wire irrigation wire shall be installed in Sch. 40 PVC electrical conduit.
- 4- Detectable locator tape shall be located six inches (6") above the entire mainline run.

6 IRRIGATION TRENCHING

1 1/2" = 1'-0"

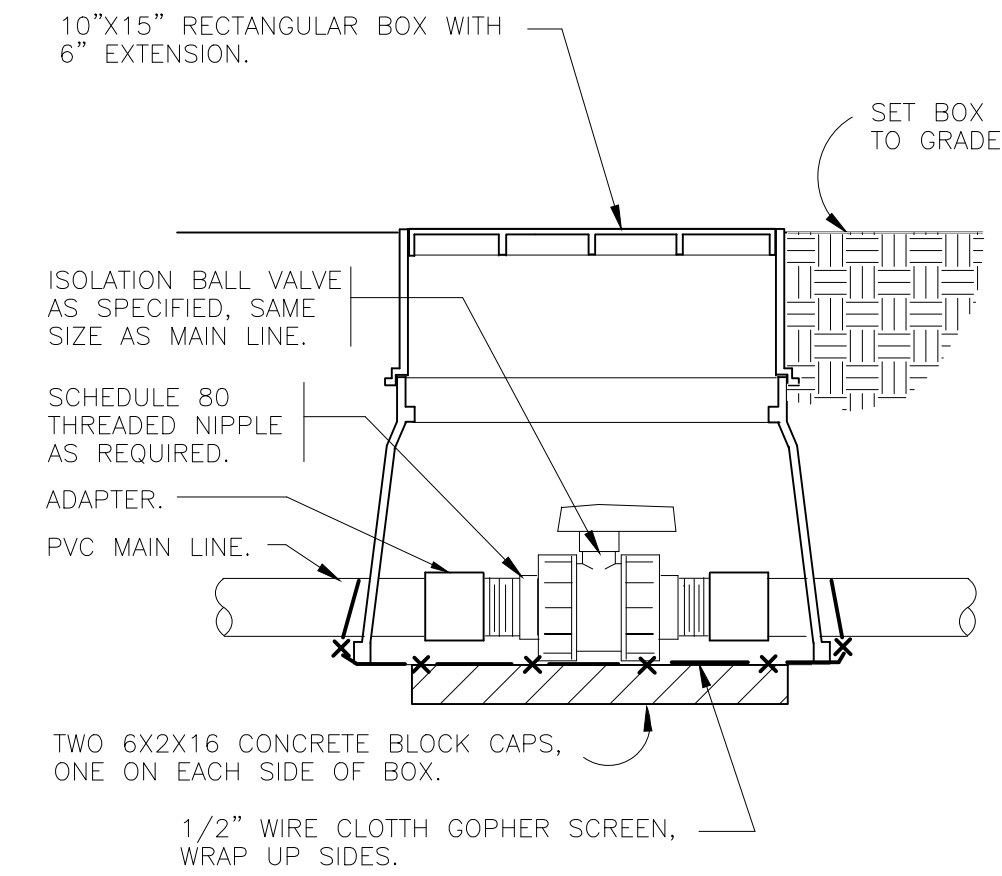
URBAN TREE FOUNDATION © 2014
OPEN SOURCE FREE TO USE
FX-IR-FX-AUXEQ-08



3 SHRUB SPRAY HIGHPOP W/FLEX ASSEMBLY

3" = 1'-0"

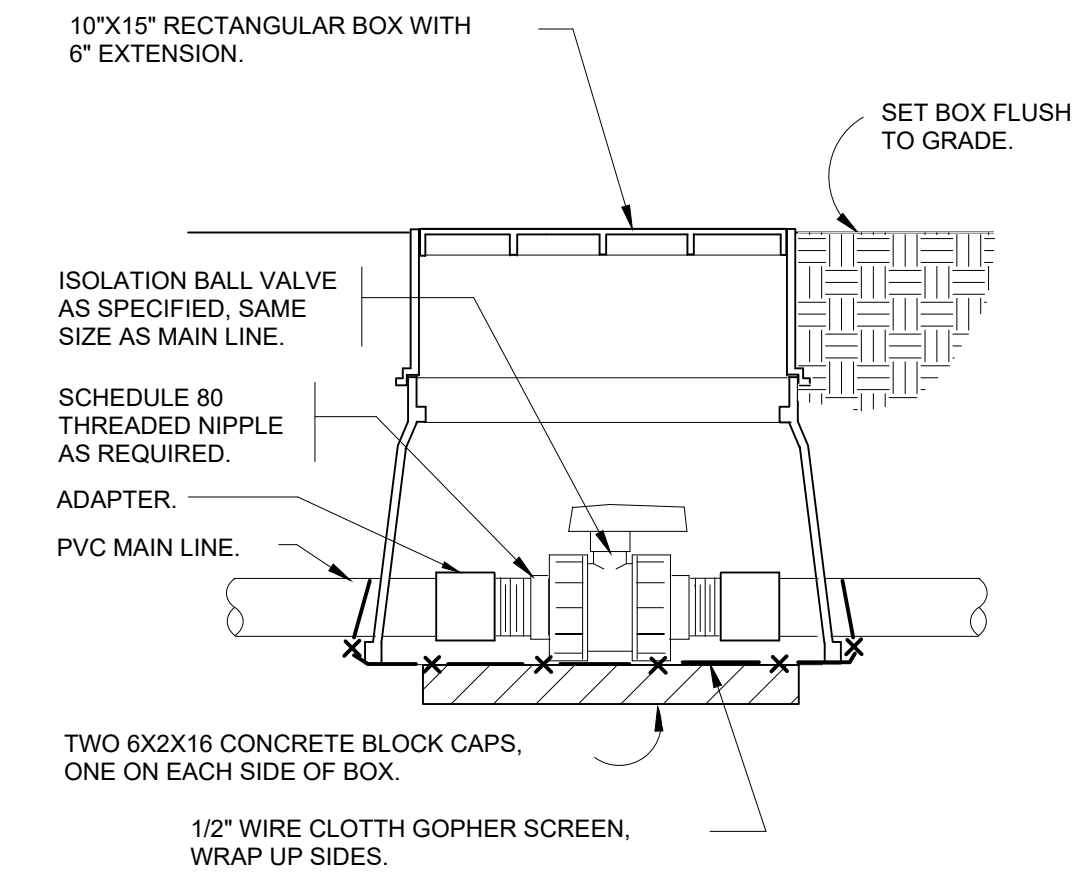
FX-IR-FX-HEAD-09



5 TRUE UNION BALL ISOLATION VALVE

1 1/2" = 1'-0"

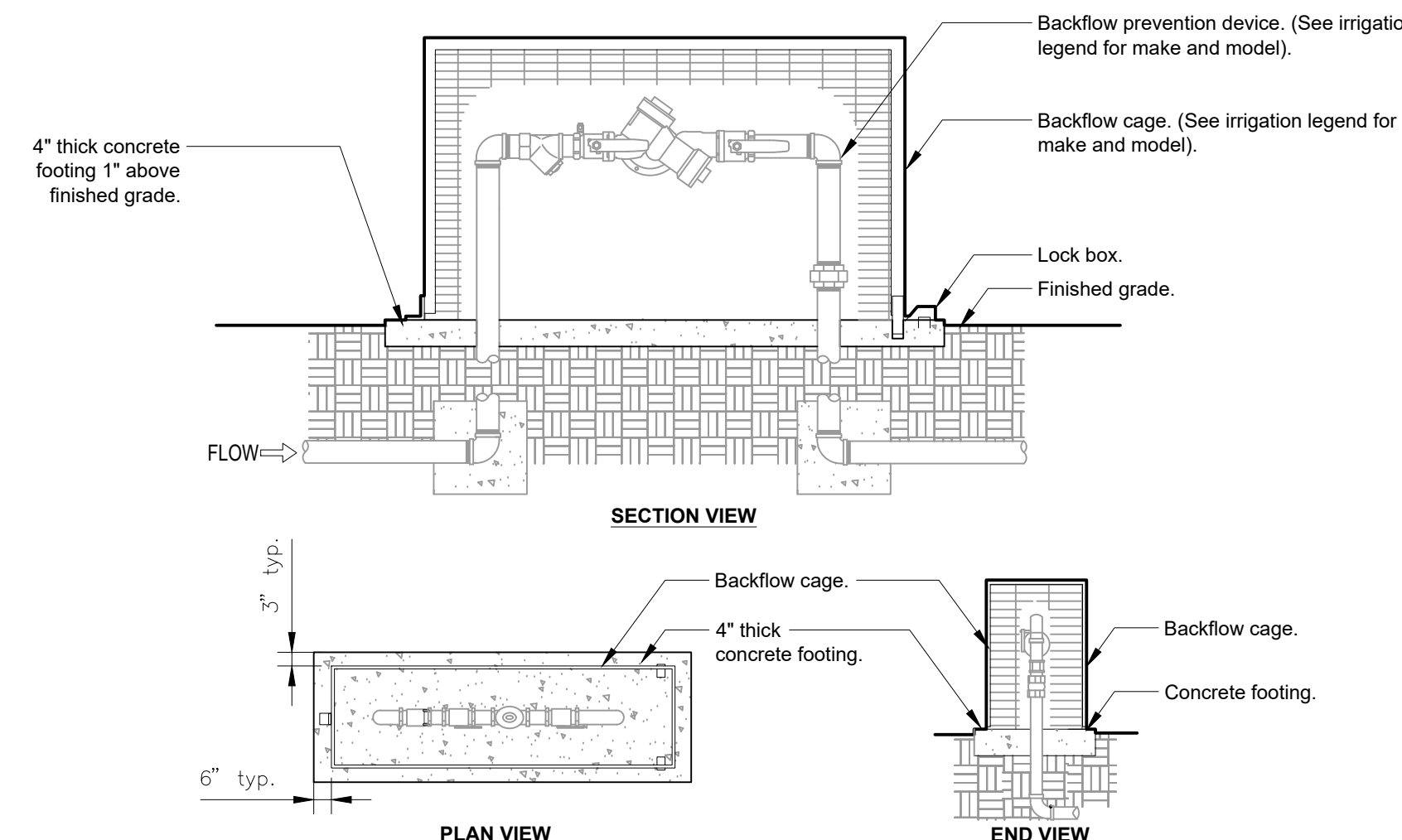
FX-IR-FX-ISOV-04



2 TRUE UNION BALL ISOLATION VALVE

1 1/2" = 1'-0"

ALS-IR-04



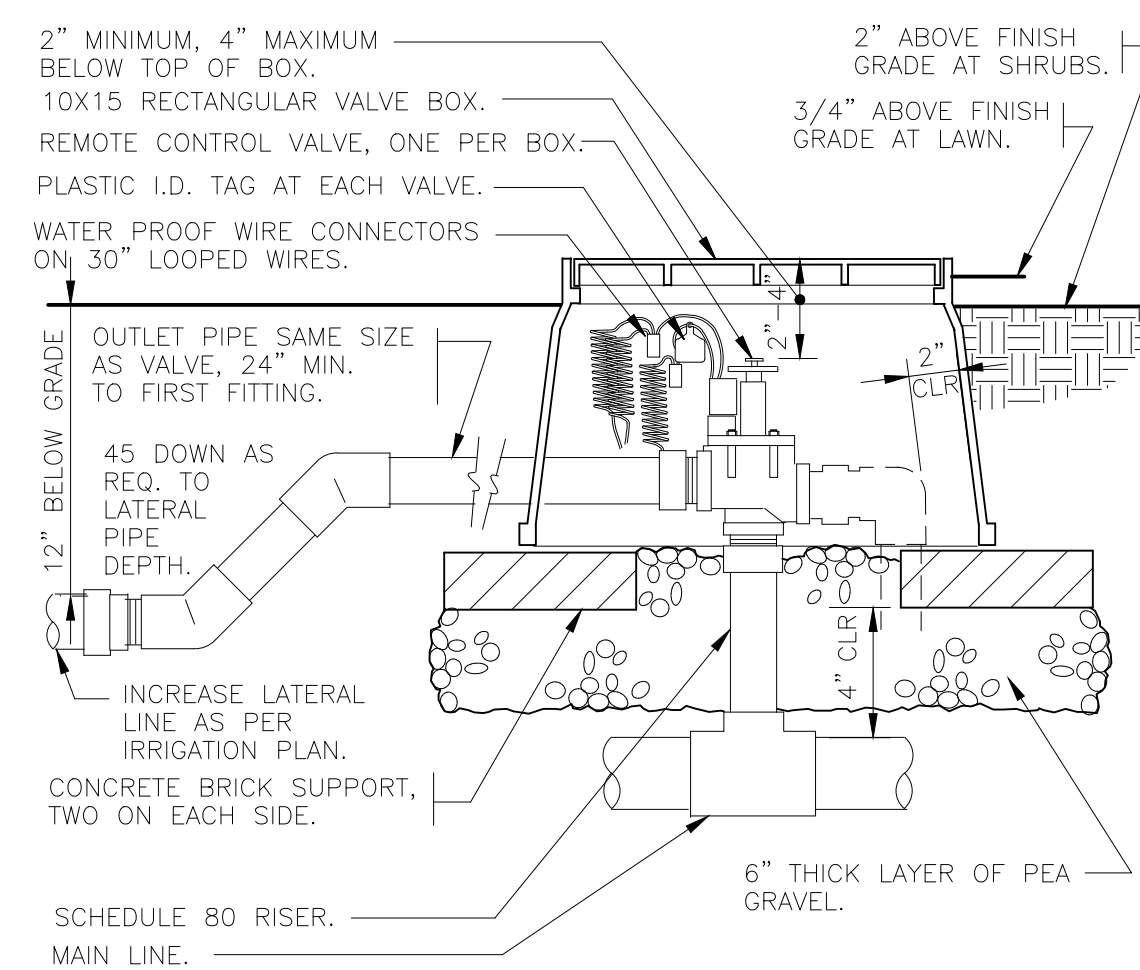
Notes:

- 1- Install backflow cage per manufacturer's specifications and recommendations.
- 2- See backflow prevention device detail for reference.
- 2- Lock box shall be located above concrete footing
- 3- Contractor shall provide a lock as approved by the Owner's Representative.

7 BACKFLOW CAGE

1/2" = 1'-0"

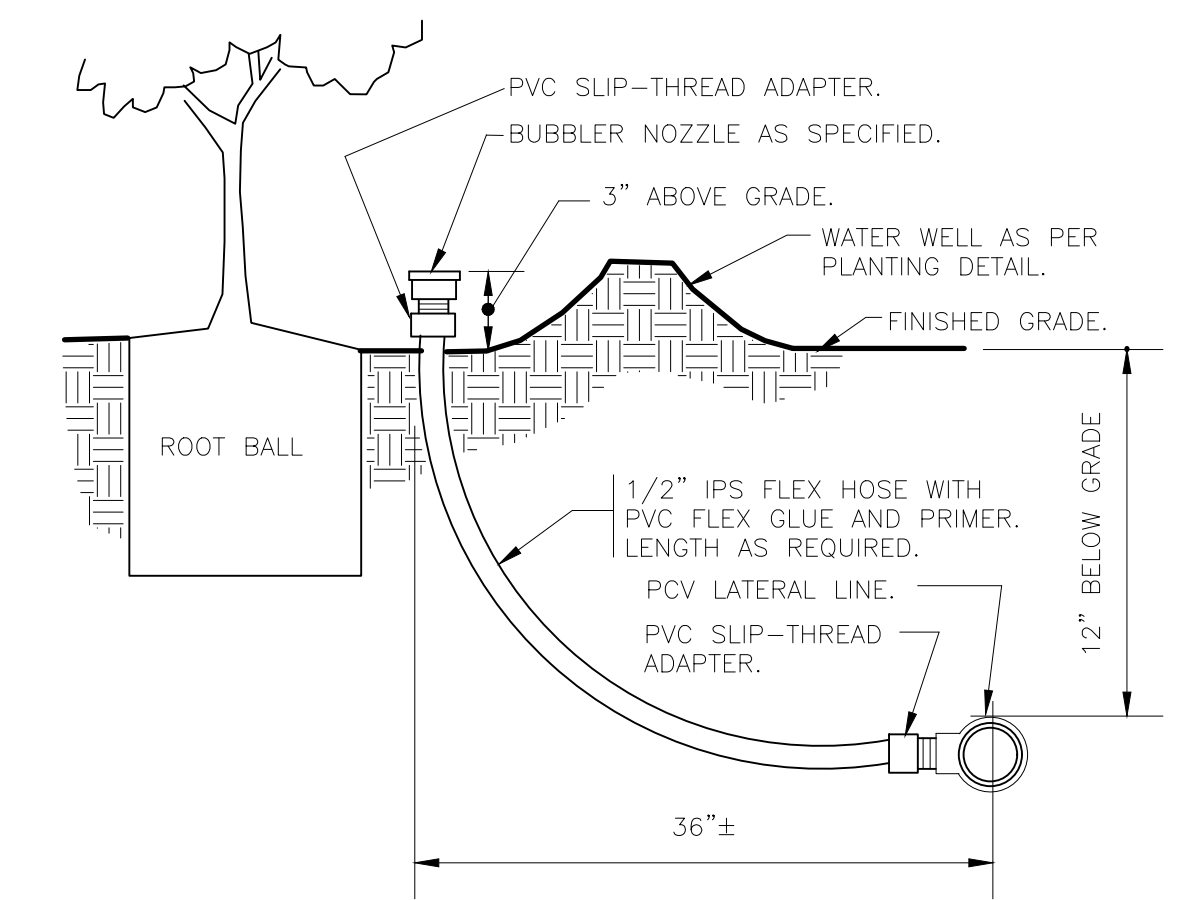
URBAN TREE FOUNDATION © 2014
OPEN SOURCE FREE TO USE
FX-IR-FX-BACK-01



4 ELECTRIC REMOTE CONTROL VALVE

1 1/2" = 1'-0"

FX-IR-FX-RCV-04



1 BUBBLER ON FLEX HOSE RISER

3" = 1'-0"

328403.53-01

project name:

project address:

physical:
17211 IH-45
Houston, TX 77090

project number:

180118
Floor & Decor

sheet name:

**IRRIGATION
DETAILS**

sheet number:

L401

17211 PAD SITE
LANDSCAPE DEVELOPMENT PACKAGE