

JAMES E. THOMPSON & ASSOCIATES ENGINEERS

First National Bank of Alvin Building
1600 East Highway 6, Suite 331
Alvin, Texas 77511
T: (832)526-0160

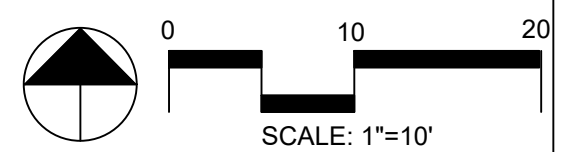
- Mechanical • Electrical •
- Plumbing Design •
- Firm Registration #F1288

Revision	Date	Client	Architect	Engineer	General Contractor	Sub-contractor

PREPARED FOR:

NEW PROJECT
SHELL BUILDING 1
OVERLAND TRAILS DRIVE
17211 IH 45
HOUSTON, TX 77090

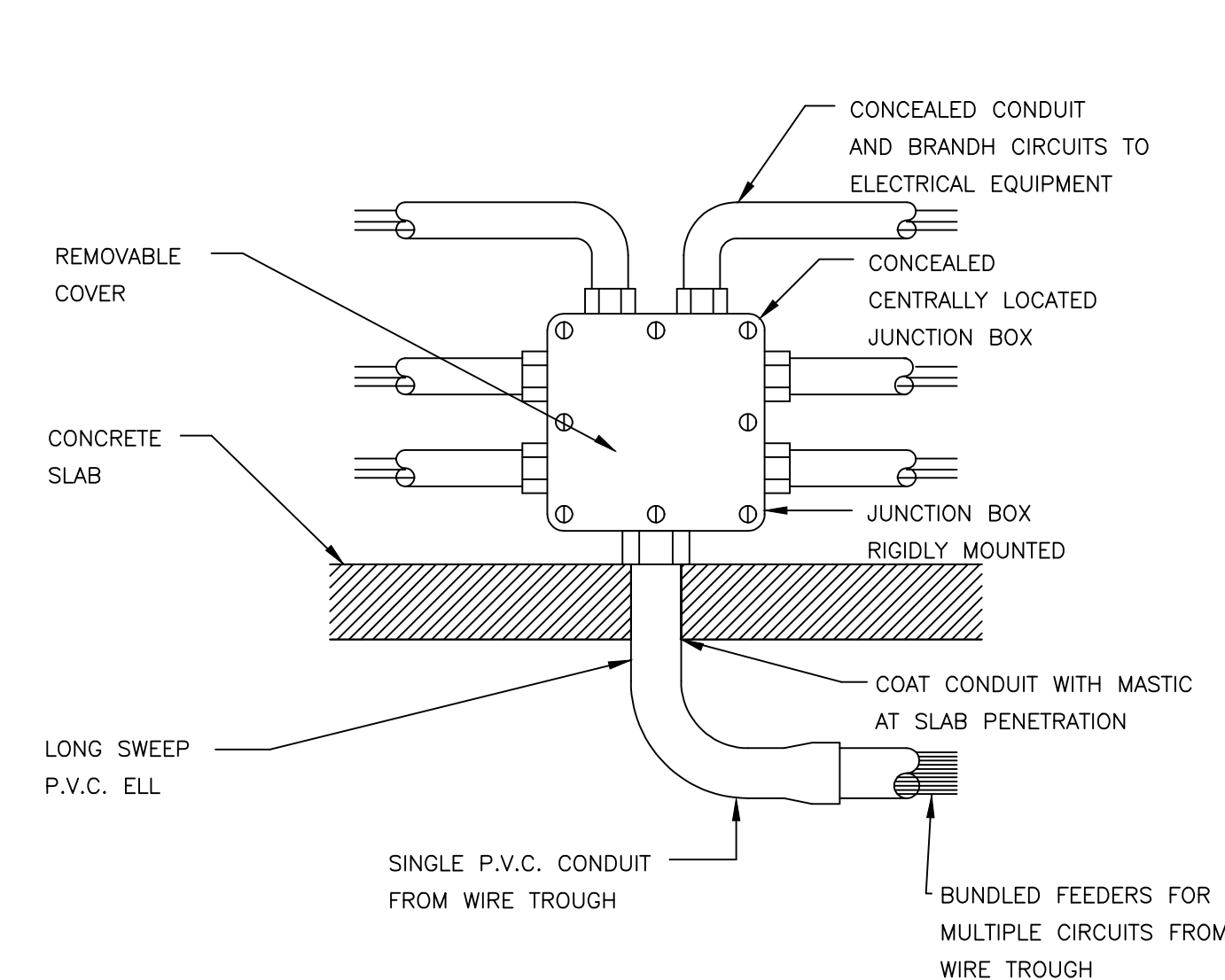
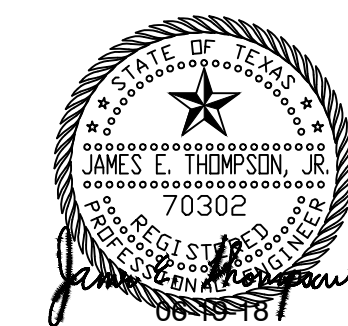
Drawn By:	Name	Date
SR	SR	12/26/17
Check by PM:	JET	12/26/17
Check by PM:	JET	12/26/17
Approved By:	JET	12/26/17



Date Created: 12/26/17
Project Number: -

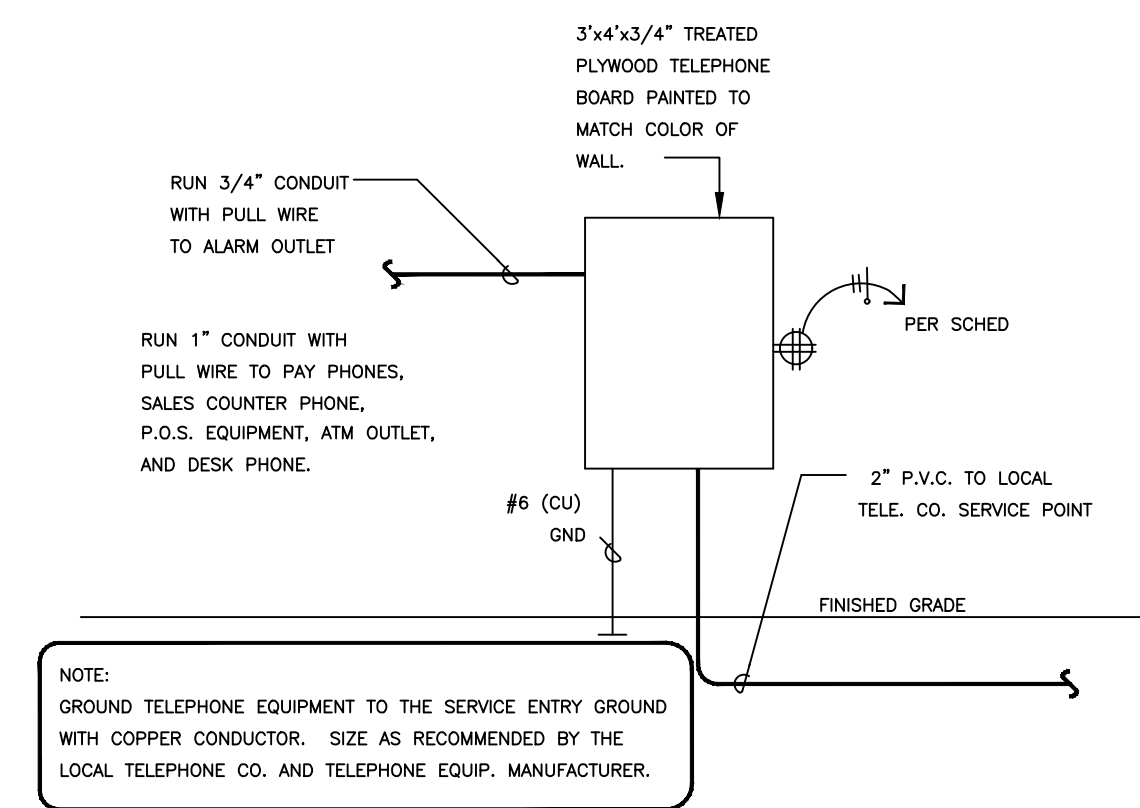
Drawing Title: ELECTRICAL DETAILS

Sheet Number: E5.0



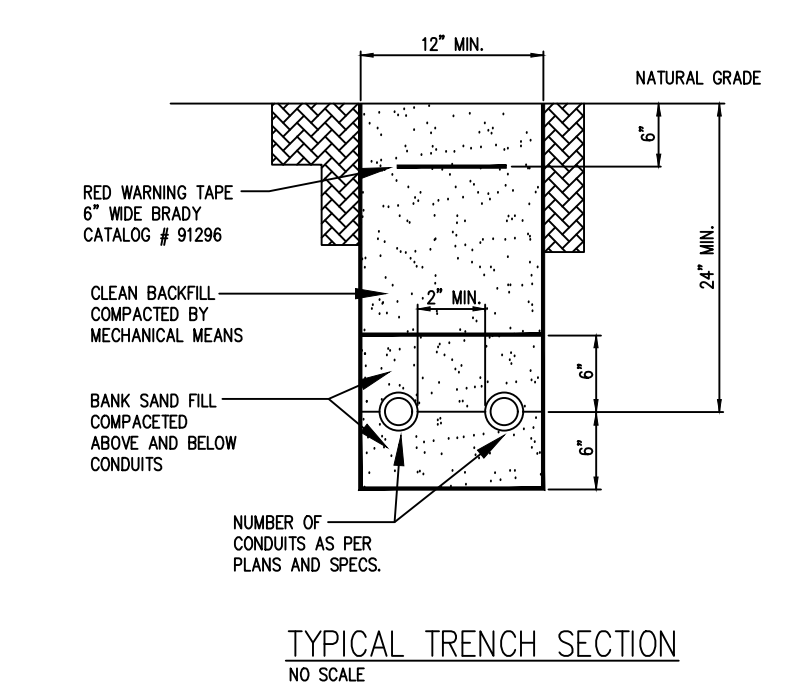
NOTE:
ELECTRICAL CONTRACTOR SHALL COMBINE DIFFERENT BRANCH CIRCUITS INTO ONE CONDUIT WHERE EQUIPMENT BEING FED IS IN THE SAME PROXIMITY AND CONCEALMENT OF JUNCTION BOX AND CONDUITS CAN BE ACCOMPLISHED.

3 TYPICAL JUNCTION BOX CONNECTIONS
NTS

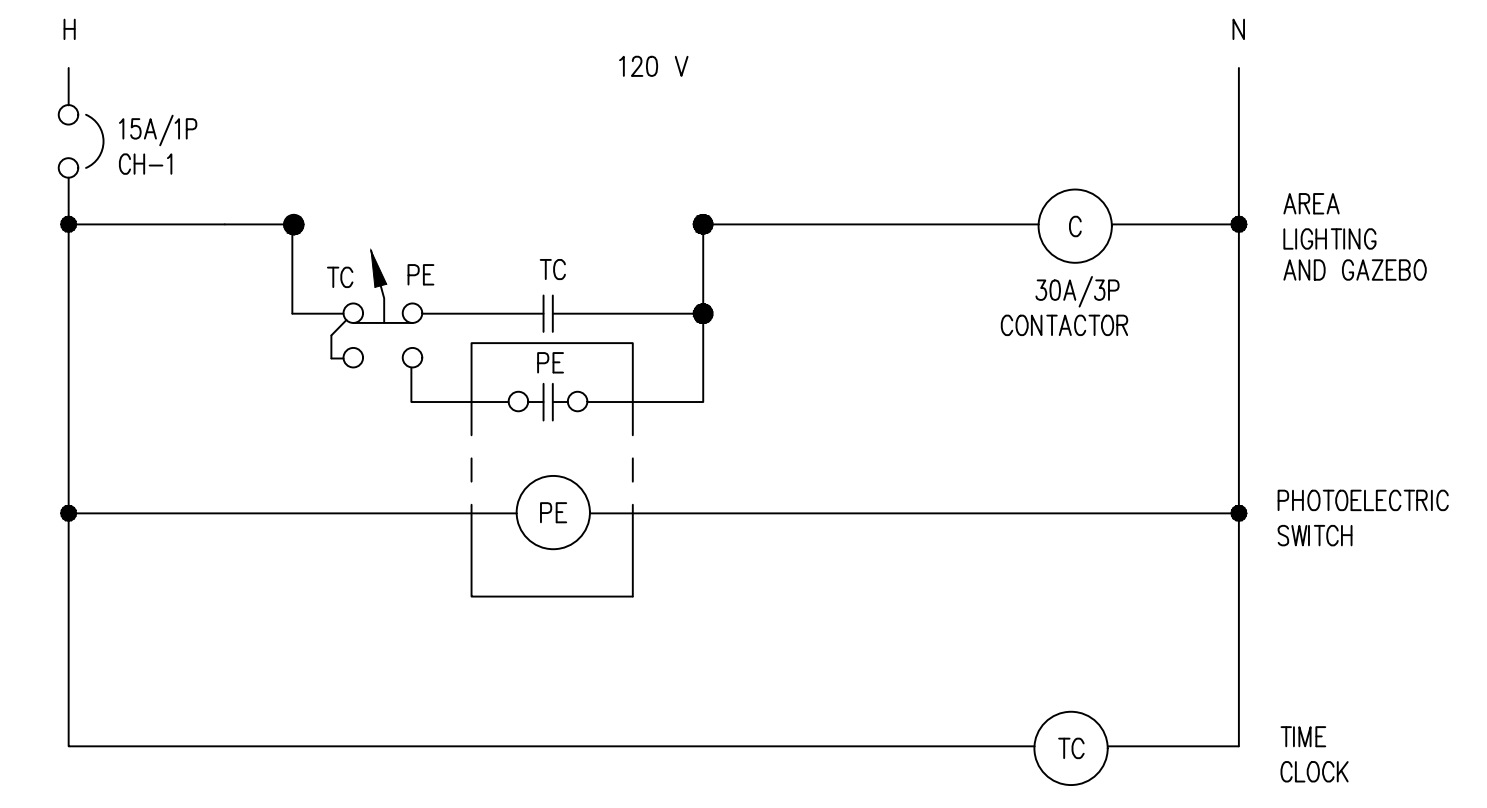


NOTE:
GROUND TELEPHONE EQUIPMENT TO THE SERVICE ENTRY GROUND WITH COPPER CONDUCTOR. SIZE AS RECOMMENDED BY THE LOCAL TELEPHONE CO. AND TELEPHONE EQUIP. MANUFACTURER.

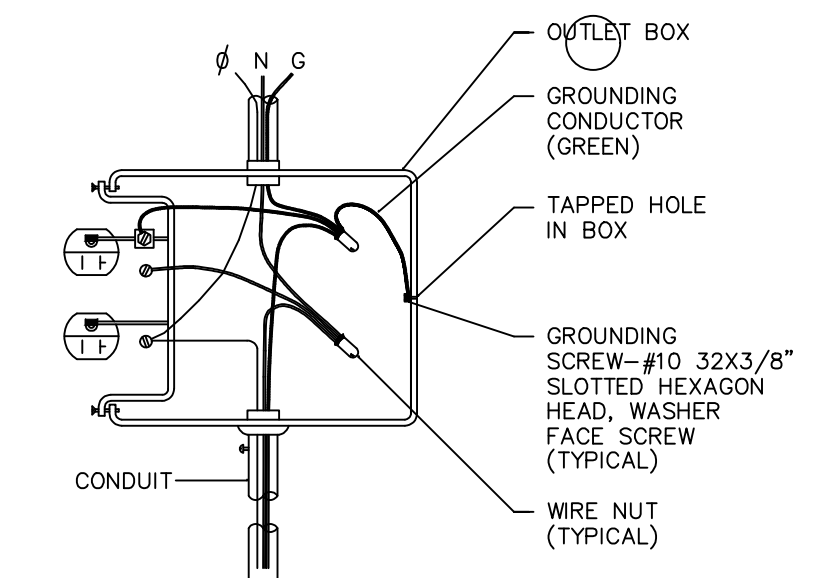
6 TELEPHONE BOARD DETAIL
NTS



TYPICAL TRENCH SECTION
NO SCALE



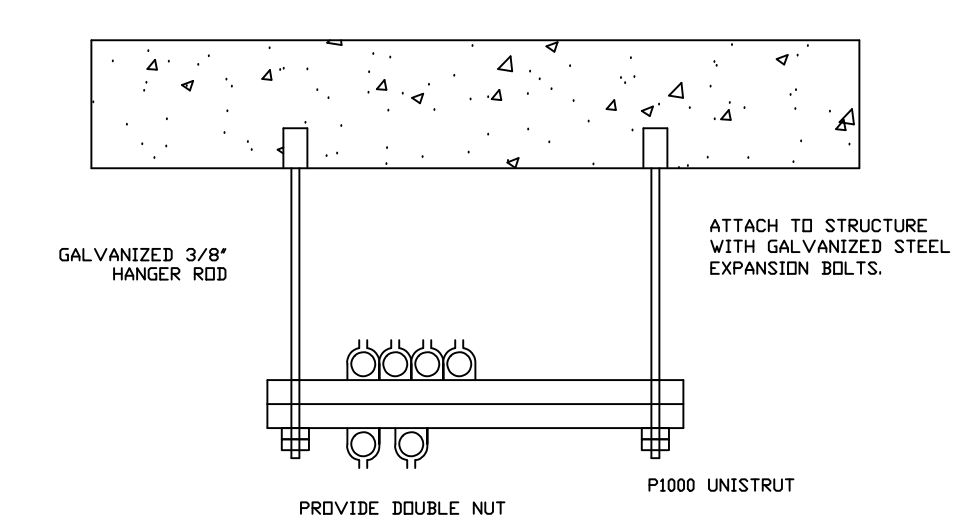
2 OUTSIDE LIGHTING CONTROL DIAGRAM
NTS



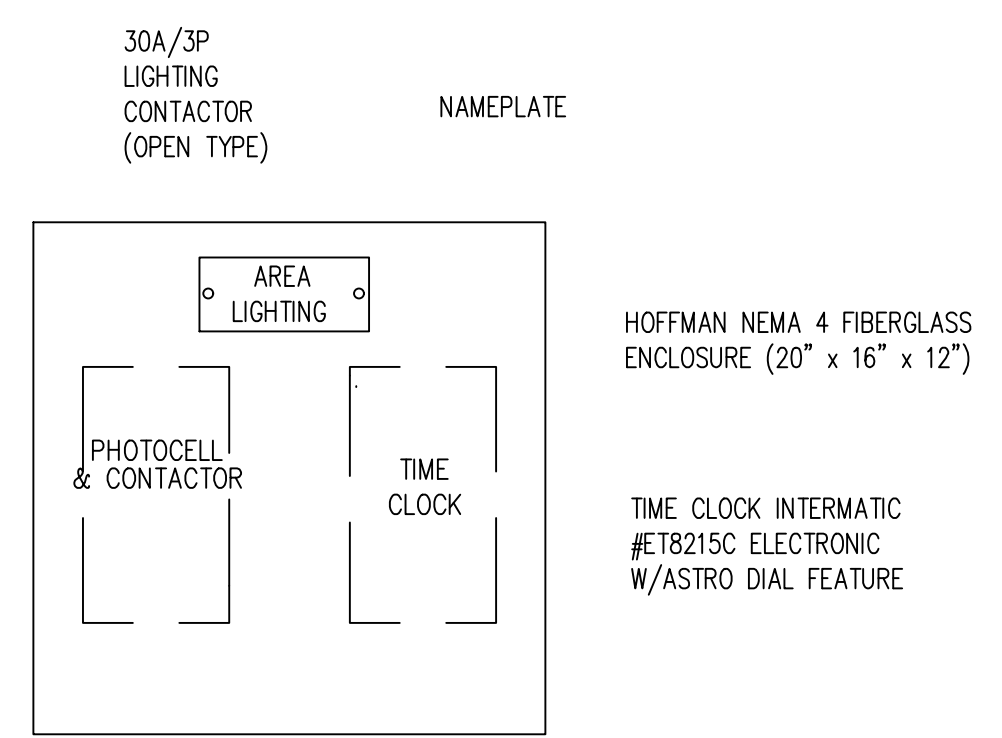
NOTE:
GROUNDING CONDUCTOR SHALL BE CONTINUOUS SO THAT REMOVAL OF DEVICE WILL NOT INTERFERE WITH CONDUCTOR CONTINUITY.

1 TYPICAL RECEPTACLE OUTLET CONNECTION
NTS

- NOTES:
1. ALL FIXTURES ARE 120 VOLTS UNLESS NOTED OTHERWISE.
 2. WET LOCATION RATING REQ'D.
 3. FIXTURES SHOWN ARE IDENTIFIED BY TYPE. PROVIDE FIXTURES AS REQUIRED BY OWNER/ ARCHITECT.

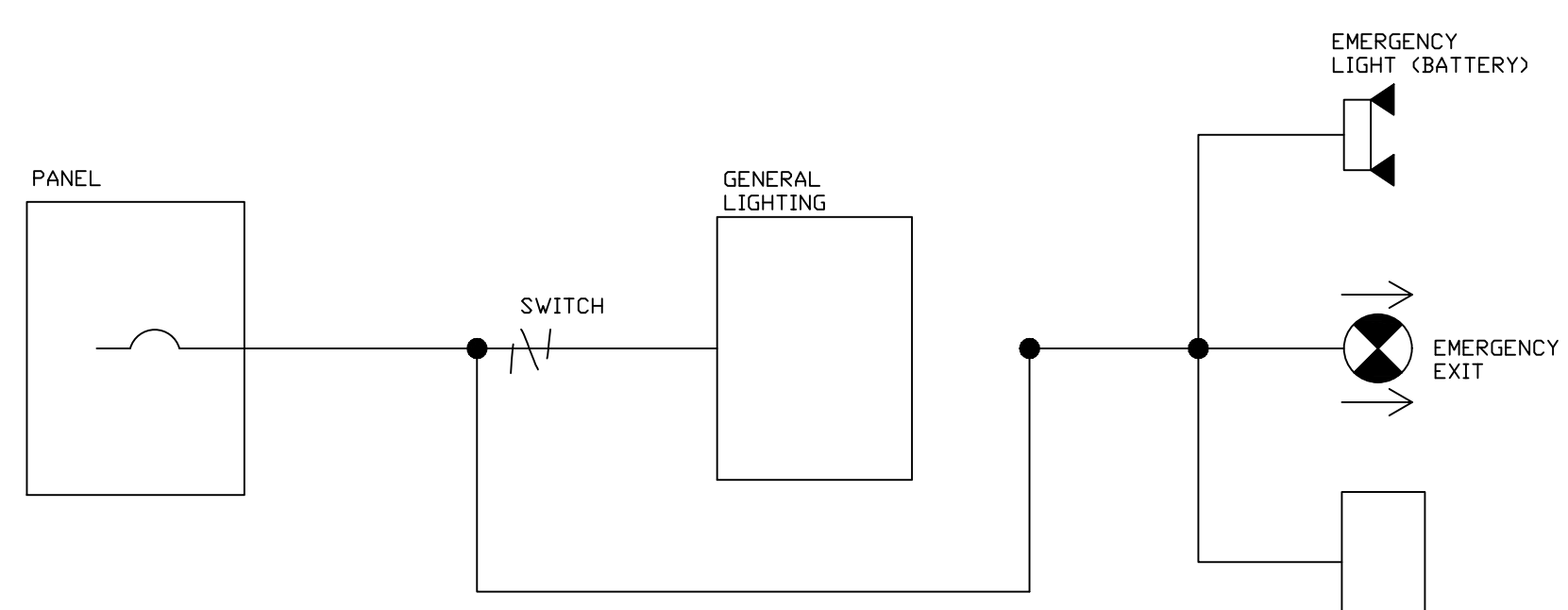


4 TYPICAL CONDUIT IN CEILING STRUCTURE
NTS



5 LIGHTING CONTROL PANEL
NTS
NOTE: WALL DETAIL IS TYPICAL. MODIFY INSTALLATION AS REQUIRED.

NOTES:
DETAILS ARE SHOWN FOR REFERENCE ONLY AND DO NOT NECESSARILY REQUIRE INSTALLATION EXCEPT AS MAY BE NEEDED FOR CODE COMPLIANCE.



7 EMERGENCY LIGHTS CONNECTION
NTS

ALL EMERGENCY, EXIT, EGRESS, AND NIGHT LIGHTS EQUIPPED WITH BATTERY BACK UP POWER SUPPLIES SHALL BE CONNECTED TO CIRCUITS AHEAD OF ANY SWITCHING (SEE NFPA 70, NEC 700.12(F).)

ELECTRICAL DETAILS

NTS