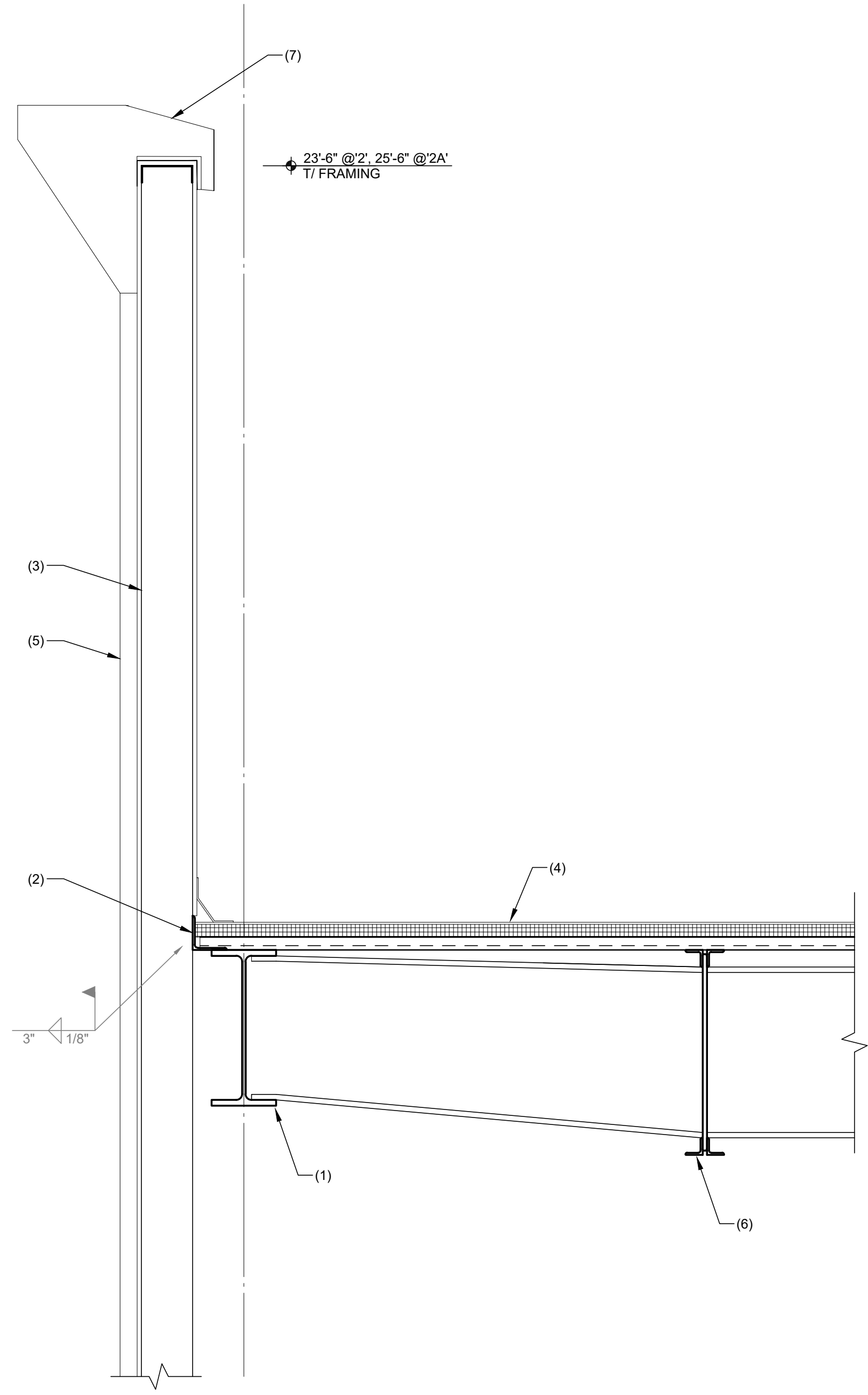


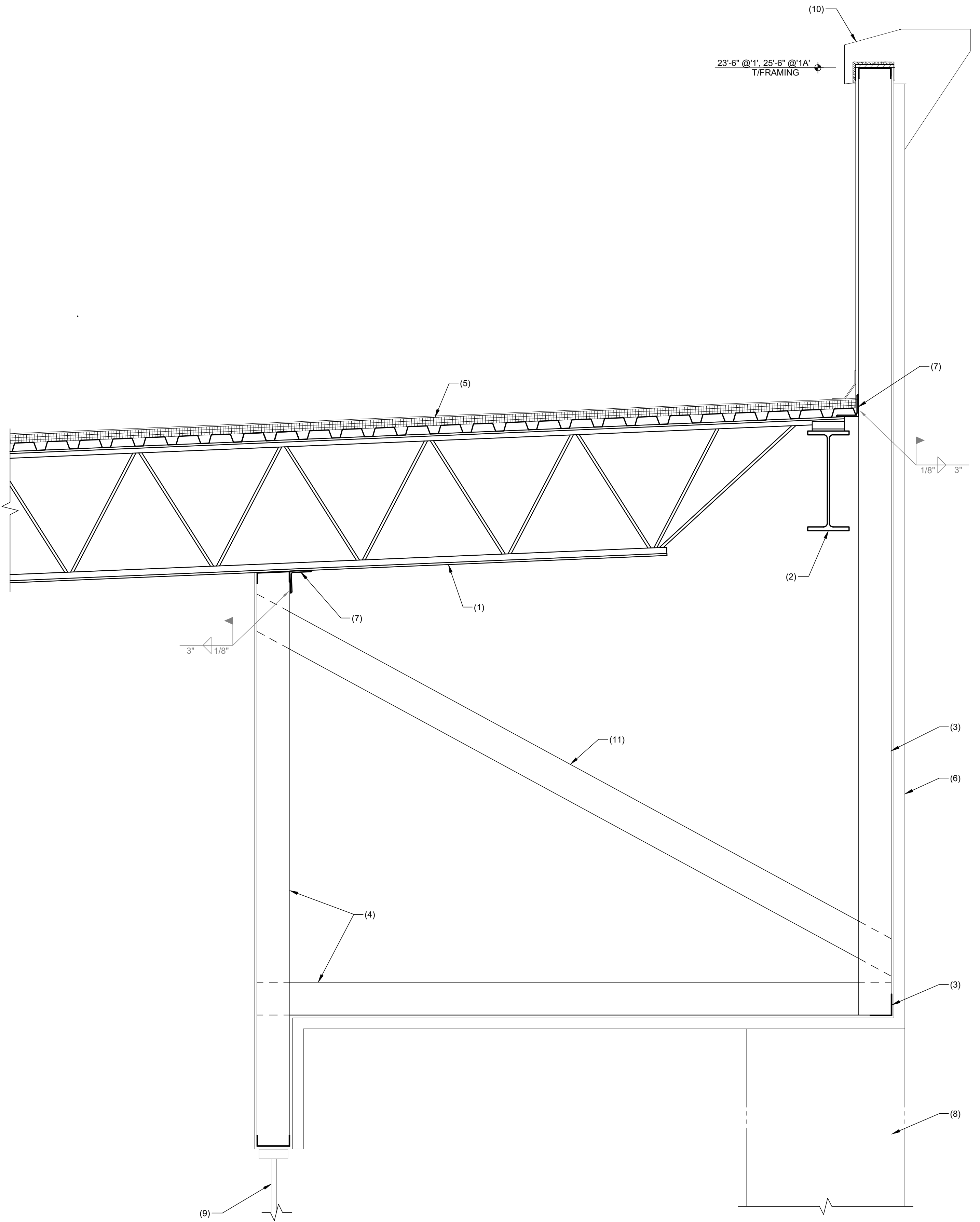
PLEASE RECYCLE

- (1) WF BEAM - SEE PLAN
- (2) L4x4x1/4 X CONT. - WELD TO STEEL BEAM
- (3) NON BEARING 600 S 162-54 @ 16" O.C. W/ 600 T 125-54 CONT. AS SHOWN.
- (4) METAL DECK AND ROOFING
- (5) STUCCO FINISH - RE. ARCH
- (6) BAR JOIST - SEE PLAN
- (7) EIFS TRIM - RE. ARCH


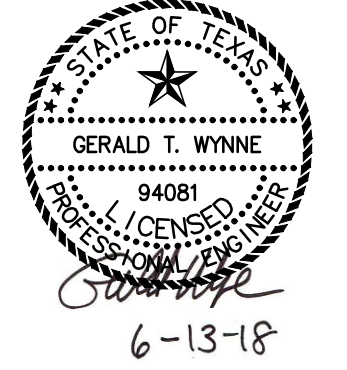
- (1) STEEL BAR JOIST - SEE PLAN
- (2) WF BEAM - SEE PLAN
- (3) L3X3X1/4 GA. CONT. ANGLE
- (4) NON BEARING 600 S 162-54 @ 16" O.C. W/ 600 T 125-54 CONT. AS SHOWN.
- (5) METAL DECK AND ROOFING
- (6) STUCCO FINISH - RE. ARCH
- (7) L4X4X1/4 CONT. - WELD TO STEEL JOIST
- (8) COLUMN BEYOND - SEE PLAN
- (9) STOREFRONT WINDOW SYSTEM BY OTHERS RE. ARCH
- (10) EIFS TRIM - RE. ARCH
- (11) 600 S 162-54 BRACE @ 48" O.C.



SECTION AT CORNER - PARALLEL TO FRAME



SECTION AT FRONT CORNERS

ISSUE/REVISION	
DATE	NO.
06/13/2018	1
	
WWW.BIGREDDOG.COM TEXAS REG. NO. F-11201	
832.431.4560 2245 TEXAS DRIVE, SUITE 240 SUGAR LAND, TEXAS 77479	
	
6-13-18	
PROJECT:	17211 PAD SITE 17211 145 SOUTH - Houston, TX 77090
SHEET TITLE:	Framing Details
S400	
SCALE: 1" = 1'-0"	

DRAWING NAME: 04-18-17AM Trim/Redesign